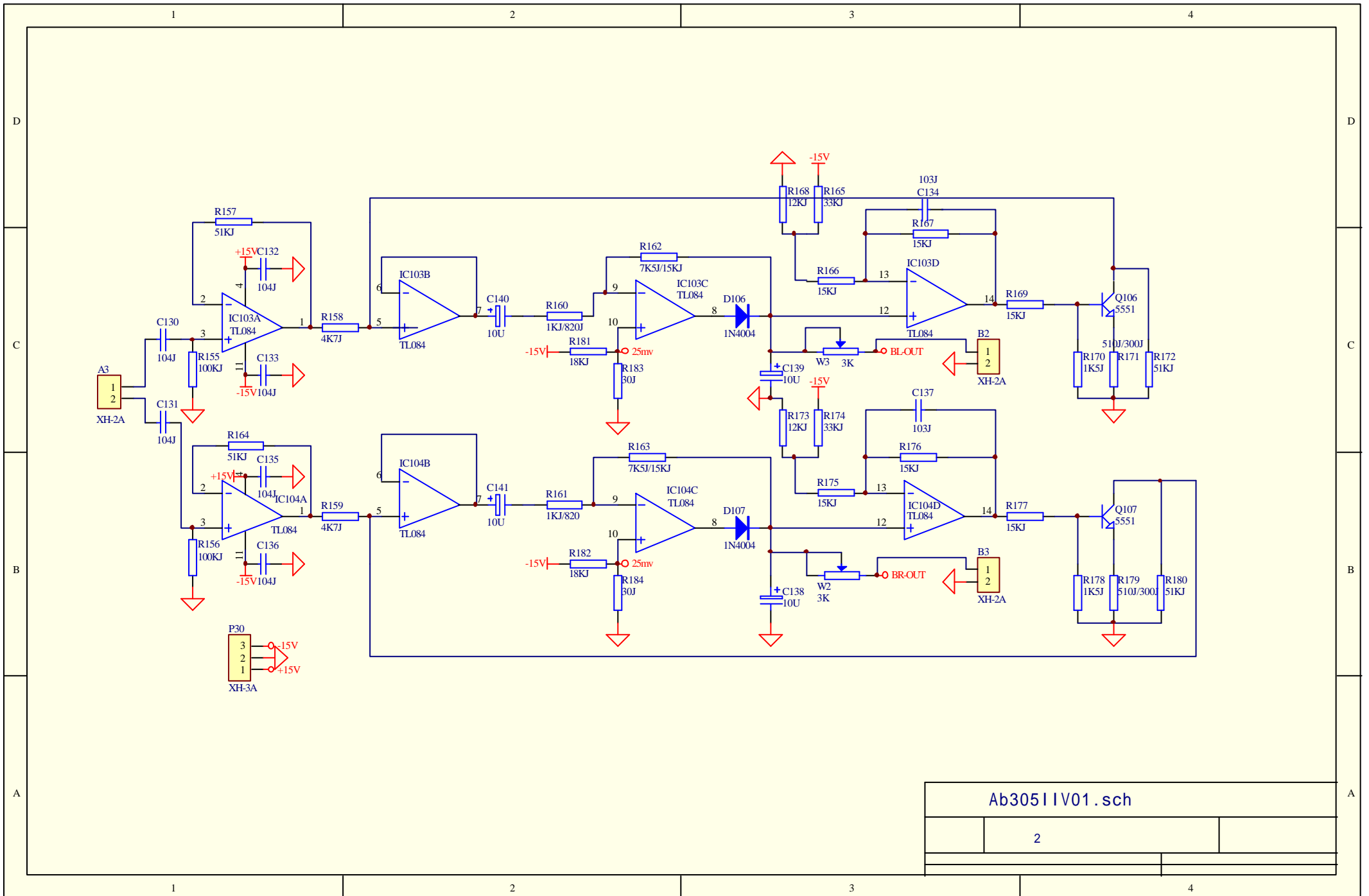


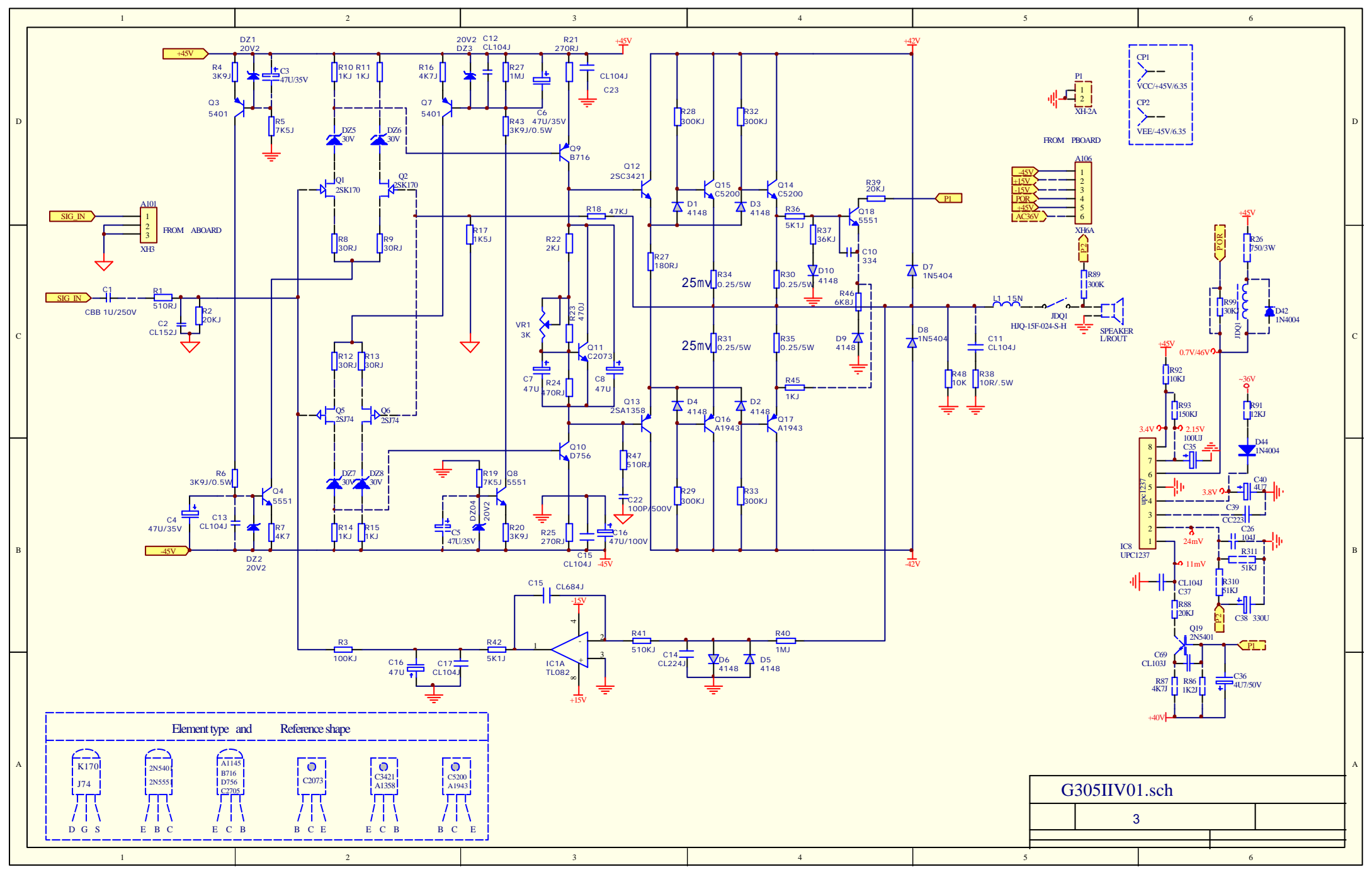
音量电位器板

悬空为 M M

AaMAP-305V01sch



Ab305 IIV01 .sch

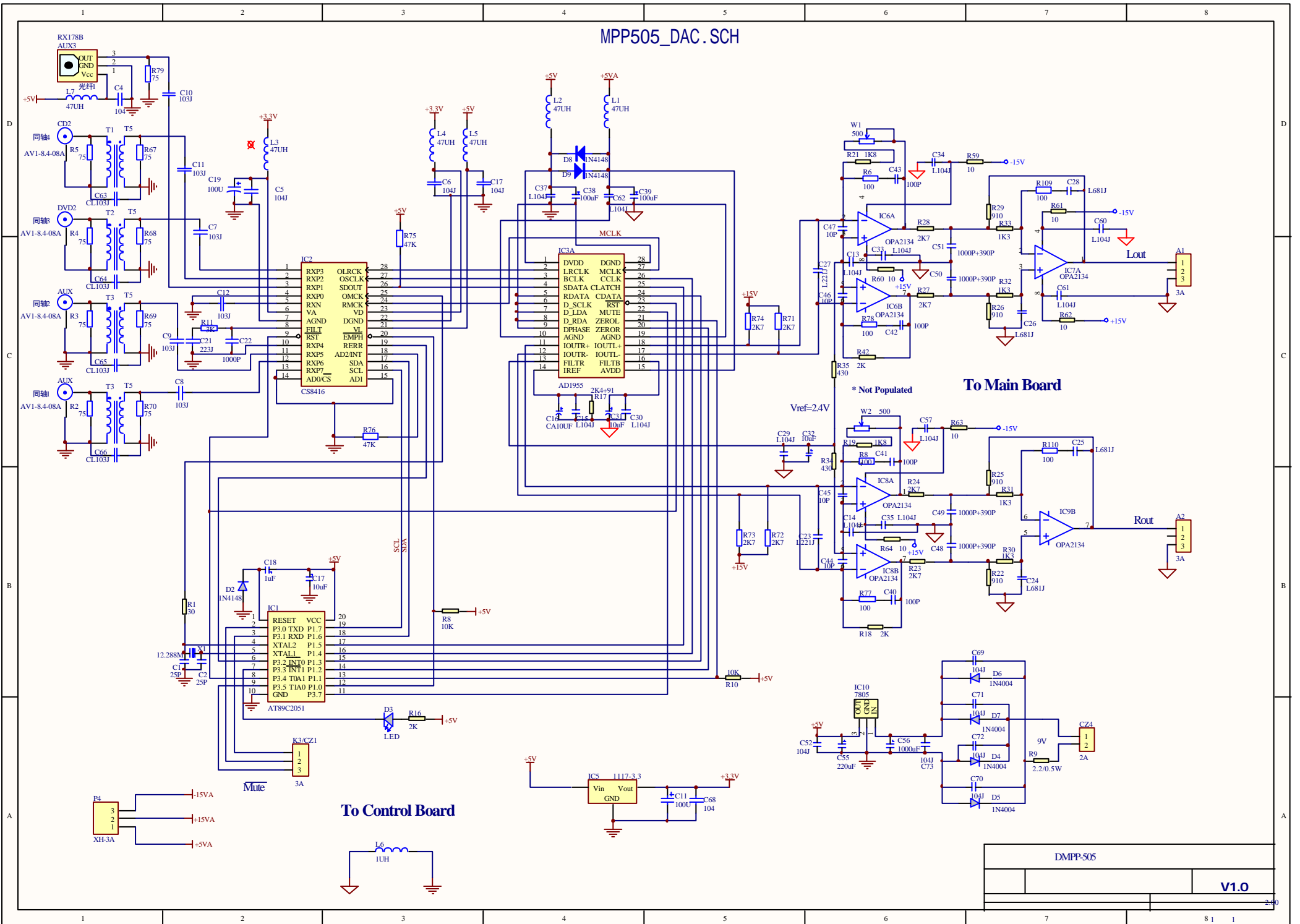


Element type and Reference shape	
K170 J74	D G S
2N540 2N555	E B C
A1145 B716 D756 C2705	E C B
C2073	B C E
C5421 A1358	E C B
C5300 A1943	B C E

G305IIV01.sch

3

# MPP505\_DAC.SCH

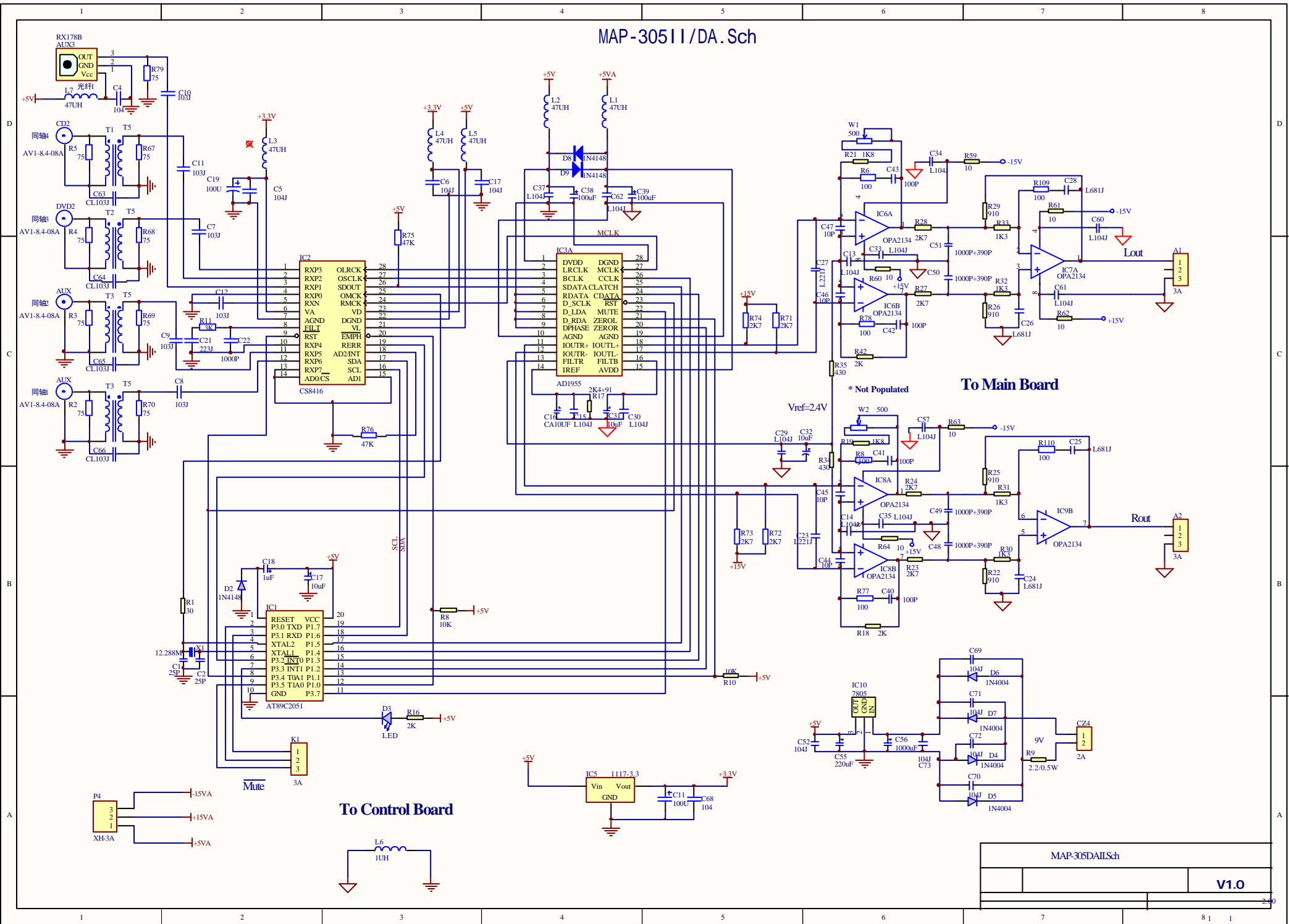


To Main Board

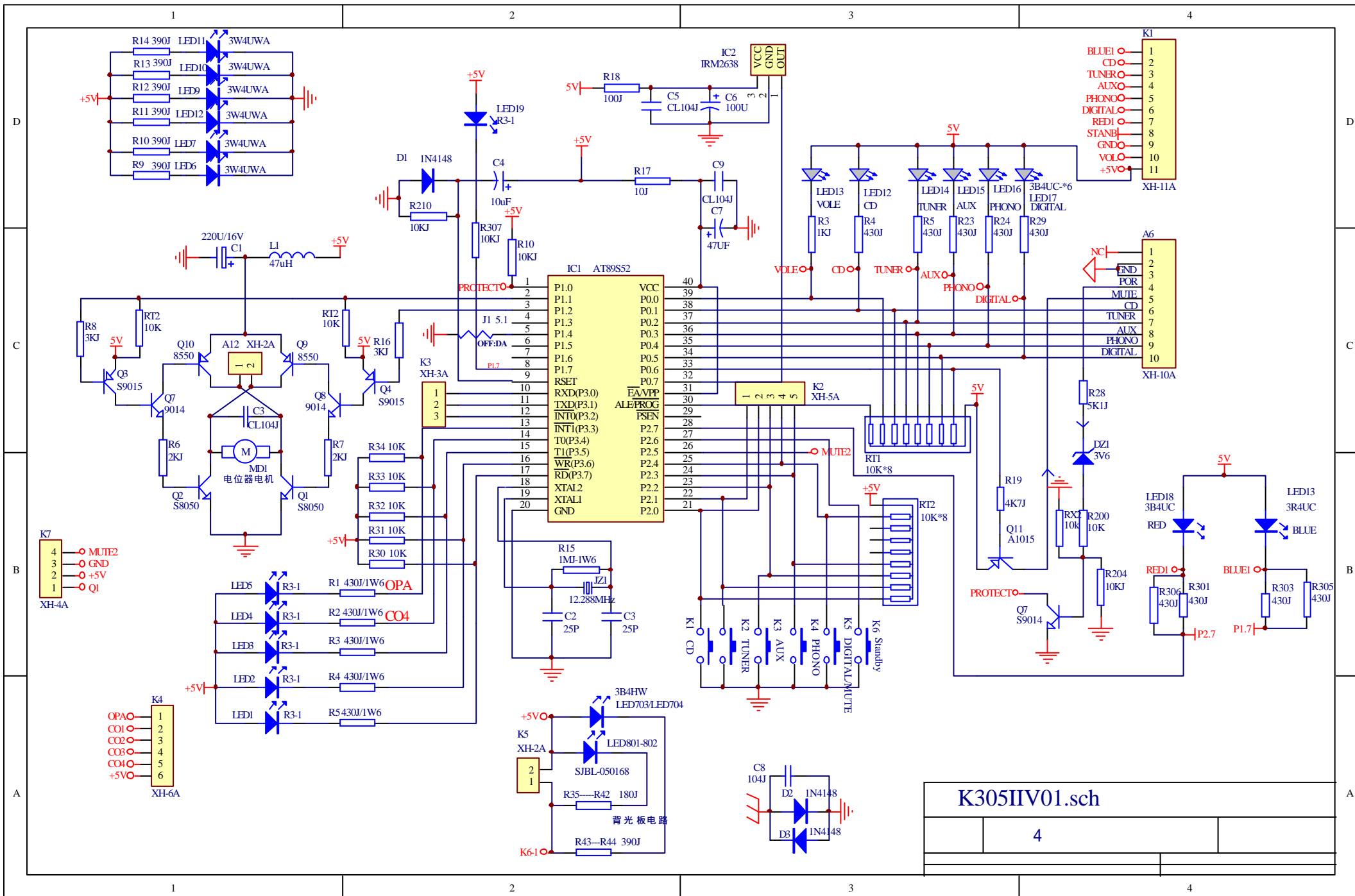
To Control Board

DMPP-505	
V1.0	

# MAP-305 I / DA. Sch

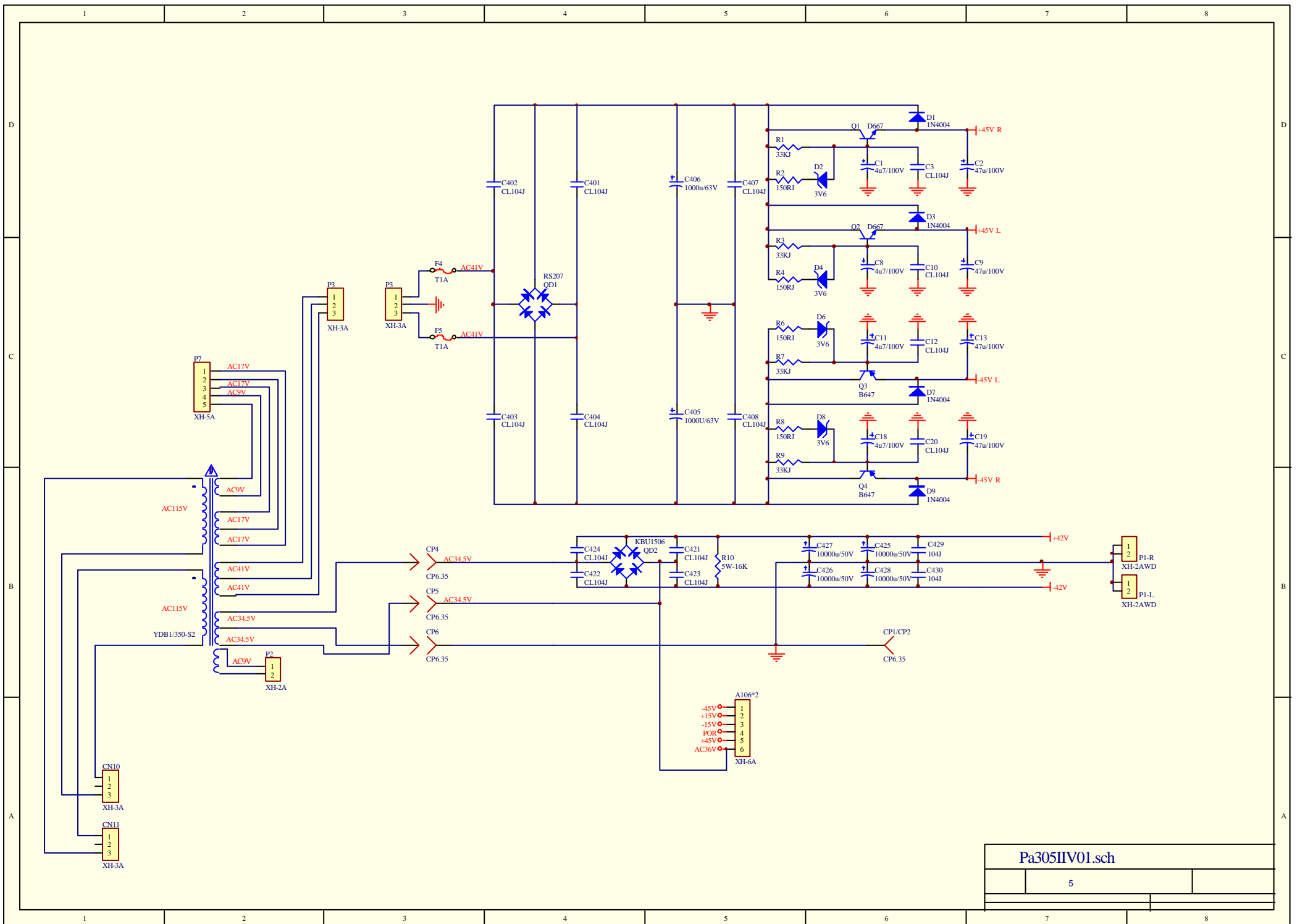


MAP-305DA1.Sch	
V1.0	



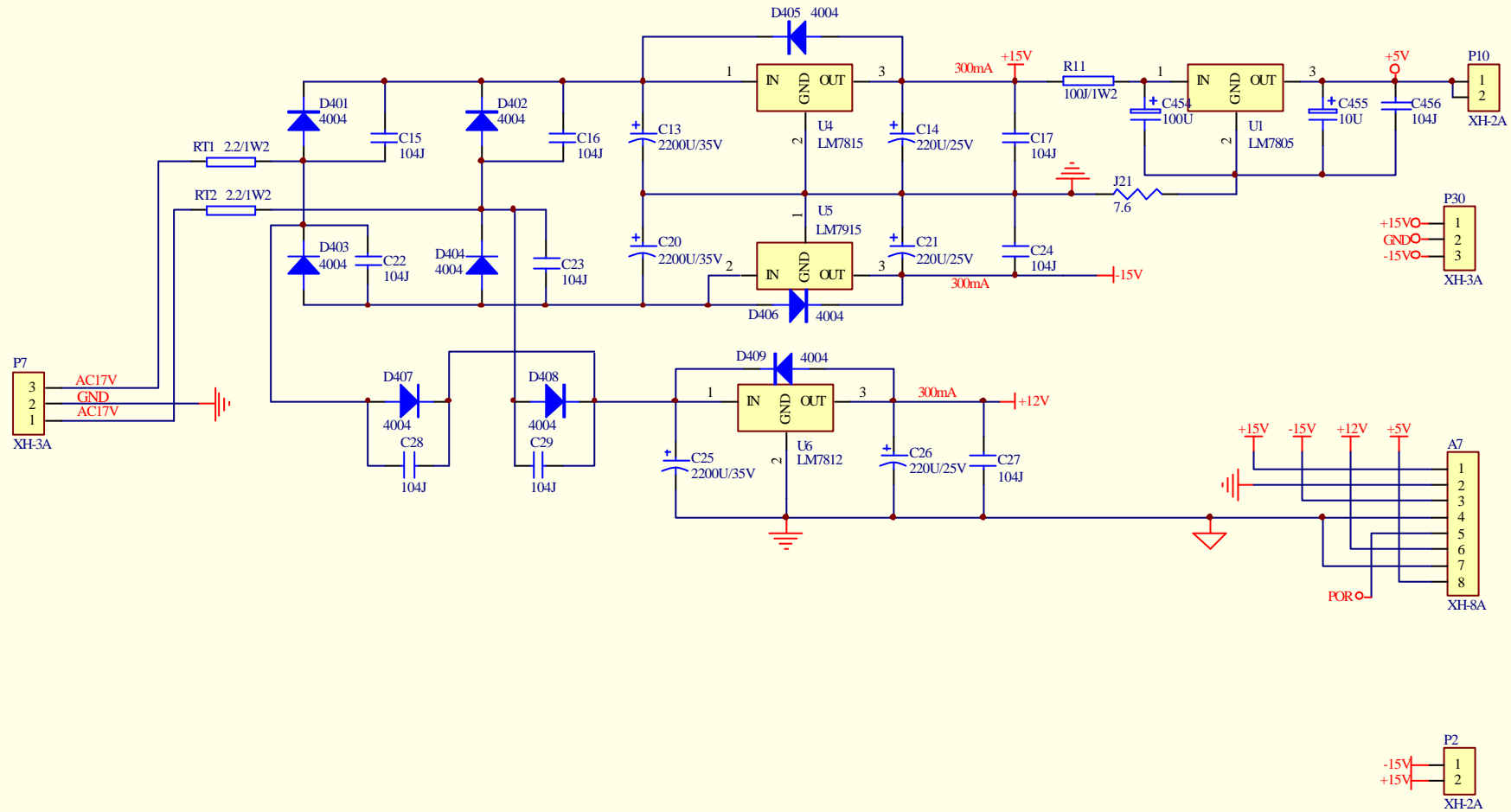
**K305IIV01.sch**

	4	
--	---	--



Pa305II V01.sch

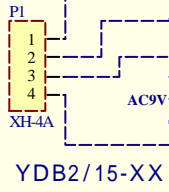
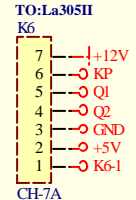
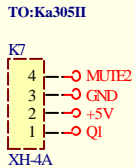
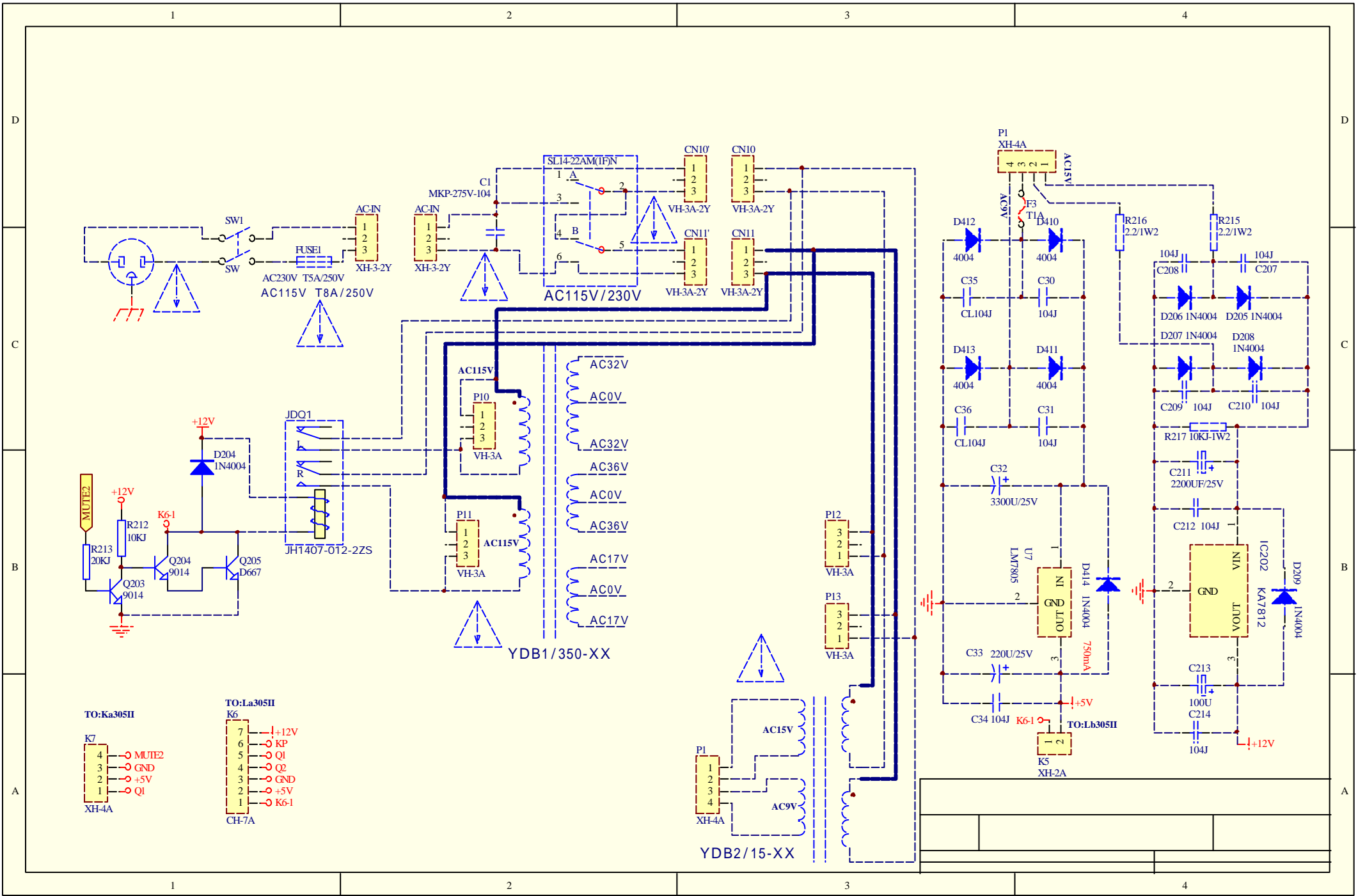
5
---



PbMAP-305V01.sch

6	





YDB1/350-XX

